



XPVA-10D/100D

Outdoor PTZ & IP Encoder
with Video Analytics



DVTEL's ioimage XPVA-10D/100D is an integrated, self-contained video analytics and encoding system comprised of a PTZ camera and stand-alone IP encoder that provides real time detection and autonomous tracking.

The XPVA-10D/100D assemblies include the high-performance CP-2202-361P/N PTZ outdoor dome camera integrated with either a stand-alone XTRK-10D or XTRK-100D encoder.

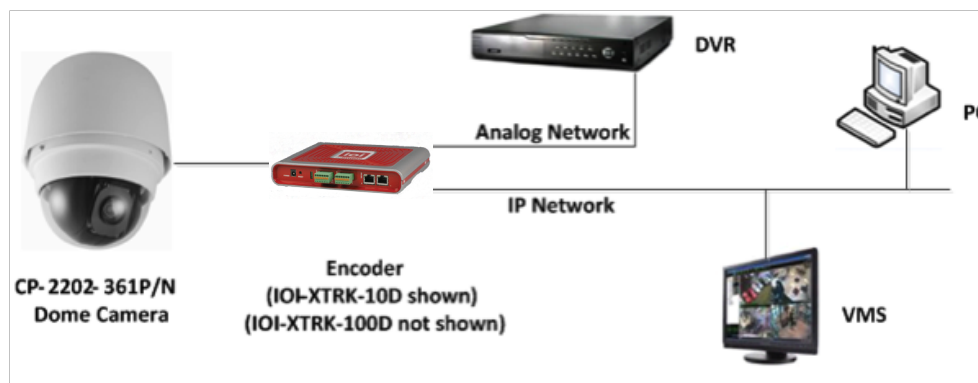
PAL and NTSC systems are available:

- XPVA-10D-P (PAL)
- XPVA-10D-N (NTSC)
- XPVA-100D-P (PAL)
- XPVA-100D-N (NTSC)

Operators can define rules, perimeter lines, sterile zones and other parameters for intrusion detection. The XPVA-10D/100D analyzes the captured video signal, generates alarms, and notifies operators of the presence of people, vehicles or objects. The system can also detect events in multiple preset zones.

The XPVA-10D/100D can be slaved to a stationary camera which will communicate and hand off a detected moving object to the XPVA for it to track, center, and zoom in on a target without user intervention.

As part of the ioimage intelligent video cameras series, the XPVA-10D/100D features analog and IP streaming video outputs, which enables connectivity to legacy analog DVRs or IP-based network video management systems. The camera can be configured and set up in a few minutes via a standard web browser.



FEATURES

- Connects to IP and analog networks
- User-friendly - fast setup and easy operation
- 36x optical zoom
- 360° continuous rotation
- MPEG 4 SP and MJPEG compression
- Real-time, DSP-based video analytics
- Low false alarm rate
- Intrusion detection:
 - Region entrance
 - Tripwire crossover
 - Fence trespassing
- Automatic actions triggered upon detection
- Precise and accurate PTZ performance
- Autonomous PTZ tracking
- PTZ hand-off from fixed camera
- Built-in camera heater
- Built-in web server



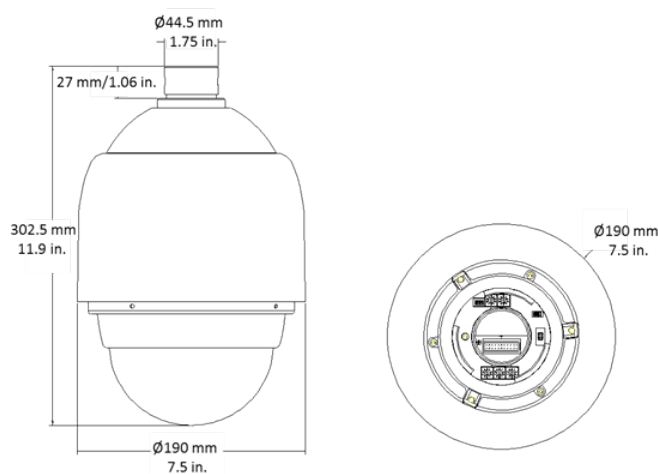
**XPVA-10D/100D
CP-2202-361P/N Camera Specifications**

Camera	
Camera Type	Pan / Tilt / Zoom
Image Sensor	1/4" Sony CCD
Horizontal Resolution	650 TVL (PAL and NTSC)
Effective Pixels	570k (PAL) / 480k (NTSC)
Optical / Digital Zoom	36xOptical Zoom / 1x - 12x Variable Digital Zoom
Lens Type	F/1.6 to F/3.8
Focal Length	3.4 mm - 122.4 mm
Focus Mode	Auto / Manual
Angle of View (Horizontal)	1.7° to 55° (Tele-end to Wide-end)
Minimum Illumination	0.1 Lux (color) / 0.01 (B/W)
Recommended Illumination	100 to 100, 000 Lux
Signal-to-Noise Ratio	>50 dB (AGC Off)
Analog Video Output	1.0 V p-p, 75 Ω, BNC
White Balance	Auto, ATW, Indoor, Outdoor, Manual
Iris Control	Auto / Manual
Wide Dynamic Range	On / Off
2D / 3D Noise Reduction	On / Off
IR Cut Filter (Day / Night)	On / Off
Automatic Electronic Shutter	1/1 ~ 1/10,000 Second
Automatic Gain Control (AGC)	Auto / Manual
Backlight Compensation	On / Off
Image Freeze	On / Off
PTZ Operation	
Pan Travel	360° continuous
Tilt Travel	10° ~ 190°
Manual Speed	0.5° ~ 90° / Second
Presets	256 Without Analytics / Up to 32 With Analytics (Depending on Settings)
Preset Speed	5° ~ 400° / Second
Preset Accuracy	0.225°
Proportional Pan & Tilt	On / Off (Pan & Tilt Speed Proportional to Zoom Ratio)
Analog Video Output	

TV Standard	PAL or NTSC
Analytics Overlay	Included
Power Source	
Voltage	24 VAC \pm 10%
Power Consumption	20W Without Heater / 50W With Heater
Mechanical	
Housing Dimensions	190 mm x 302.5 mm / 7.5" x 11.9" with Sunshield
Mounting	Wall / Pole / Corner Mount
Enclosure	Outdoor Cover with Sunshield Included
Ingress Protection	IP66
Weight	2.6 kg / 5.7 lbs.
Control Interface	RS-485
Environmental Specifications	
Operating Temperature	-40° to 50°C / -40° to 122°F
Operating Humidity	Less Than 80% Relative Humidity
Miscellaneous	
On-Screen Display Languages	English / German / French / Italian / Simplified Chinese / Traditional Chinese / Russian / Korean
Regulatory Approvals	UL60950-1, CE, cTUVus, FCC Part 15, Subpart B, Class B; CE Class A; EN55022; EN55024; C-TICK, RoHS



Camera Dimensions





XPVA-10D/100D

Outdoor PTZ & IP Encoder
with Video Analytics



XTRK-10D/100D Encoder Specifications

Channels	XTRK-10D	XTRK-100D
Number of Intelligent Video Analysis Channels	1	
Analog Video Inputs		
TV Standard	Composite 1Vp-p (NTSC or PAL)	
Physical Connector	1 x BNC 75Ω	
Analog Video Outputs		
TV Standard	Composite 1Vp-p (NTSC or PAL)	
Physical Connector	1 x BNC 75Ω	
Digital Video Output		
IP Video Streaming	MPEG 4 SP & MJPEG (2 separate, independent & configurable video streams)	
Maximum Resolution per Channel	Stream 1: 4CIF Stream 2: CIF	
Frame Rate	Up to Full Frame Rate	
Bit Rate	CBR (128 kbps - 4 Mbps), VBR	
Audio Input/Output		
Physical Connector	1 x 3.5mm plug	2 x RCA plugs
Network		
Ethernet (802.3/802.3u)	1 x RJ-45	2 x RJ-45
Services & Protocols	TCP/IP, UDP/IP, HTTP, SMTP, DHCP, DNS, SNTP	
Video Streaming	RTP / RTSP	
Alarms / Commands	TCP / IP, HTTP	

Ordering Information

Part Number	Description
IOI-XPVA-10D-P	CP-2202-361P PTZ Camera (PAL) + IOI-XTRK-10D
IOI-XPVA-10D-N	CP-2202-361N PTZ Camera (NTSC) + IOI-XTRK-10D
IOI-XPVA-100D-P	CP-2202-361P PTZ Camera (PAL) + IOI-XTRK-100D
IOI-XPVA-100D-N	CP-2202-361N PTZ Camera (NTSC) + IOI-XTRK-100D

I/O Interface	XTRK-10D	XTRK-100D
Serial (May use 1 interface per input channel for PTZ camera control)	1 x RS-232 and 1 x RS-485	2 x RS-232 and 1 RS-485
In - Alarm Input	1 Dry Contact	4 Dry Contacts
Out - Relay Output	1 Relay Output (Rated load 0.3A @ 125VAC, 1A @ 30VDC)	2 Relay Outputs (Rated load 0.3A @ 125VAC, 1A @ 30VDC)
Power Source		
Voltage	12VDC, 24VAC, 50/60 Hz	12 VDC
PoE Injector Output Voltage	48VDC, 0.4A	N/A
Power Consumption	7W	8W
Physical Dimensions		
Dimensions	75 x 55 x 118 mm 2-15/16 x 2-5/32 x 4-5/8 in.	189 x 36 x 164 mm 7-7/16 x 1-13/32 x 6-7/16 in.
Mounting	Camera Housing Shelf-mount	Shelf-mount
Environmental		
Operating Temperature	0° to 50° C 32° to 122° F	
Operating Humidity	5% to 95% (Non-condensing)	
Certifications		
Regulatory Approvals	UL, CE, FCC 47 CFR part 14 subpart B, Class A, CE, Class A FCC, CE, UL, RoHS	

Mounting Accessories:

Part Number	Description
CX-ARMX-1	Standard Pendant Mount
CX-ARMX-0	Compact Pendant Mount
CX-PIPE-0	Straight Tube
CX-POLE-0	Pole Thin Direct Mounting
CX-CRNR-0	Corner Standard Mounting Plate